

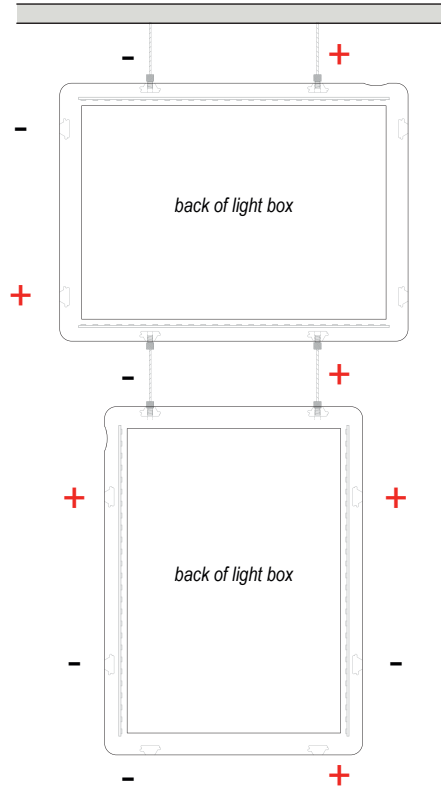
ASSEMBLY OF LED POCKET SYSTEM

Panel structure

Ensure all panels are connected on the same side, paying close attention to the correct alignment of positive and negative poles.

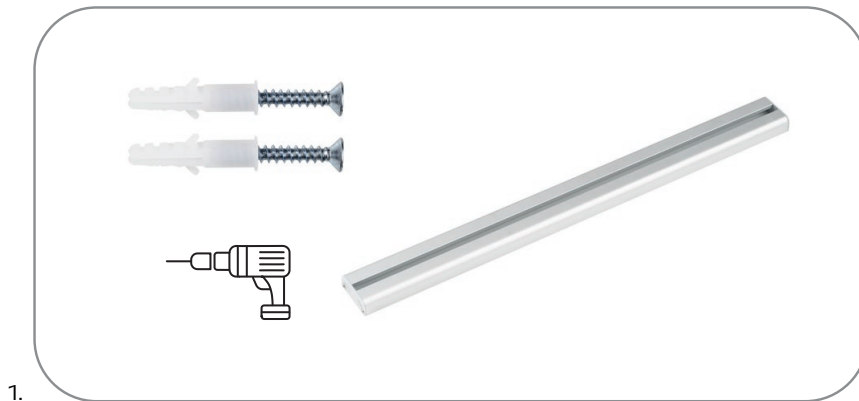


All connection holes are labeled according to their poles.



ASSEMBLY OF LED POCKET SYSTEM

System components



1. Mounting the Electric Rail (Wall or Ceiling)

- Ensure the wall or ceiling can support the weight.
- Fix electric rail using screws and dowels.
- Position the rail at least 2 cm behind the window.
- If using multiple rails, connect them with rail extension connectors before fixing them in place.

2. Installing Sliding Connectors

- Attach sliding connectors with hanging cables to the rail.
- Adjust the height of the first panel by sliding the cables; all other panels will align automatically.

3. Hanging the First Display Panel

- Hang the first panel with the whiter side facing inward.
- Connect the power supply and turn it on to check the lights.
- When hanging other panels, ensure their slots (+ and -) are properly aligned.

4. Connecting Additional Displays

- Connect other panels using the provided connecting cable sets.
- First, install one display for troubleshooting. Then, add the rest, testing each column by turning the power on and off.

5. Installing Additional Columns

- Repeat steps 2-4 for each additional column.
- Maintain at least 2 cm spacing between columns.
- Verify that each column lights up properly by testing the power.



6. Final Adjustments

- Cut any excess cable after installation.
- Ensure steel cables do not touch the electric rail to prevent short circuits.
- Always work with the power off to prevent damage.