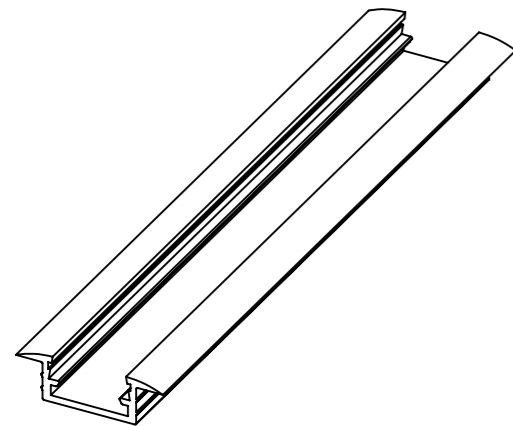
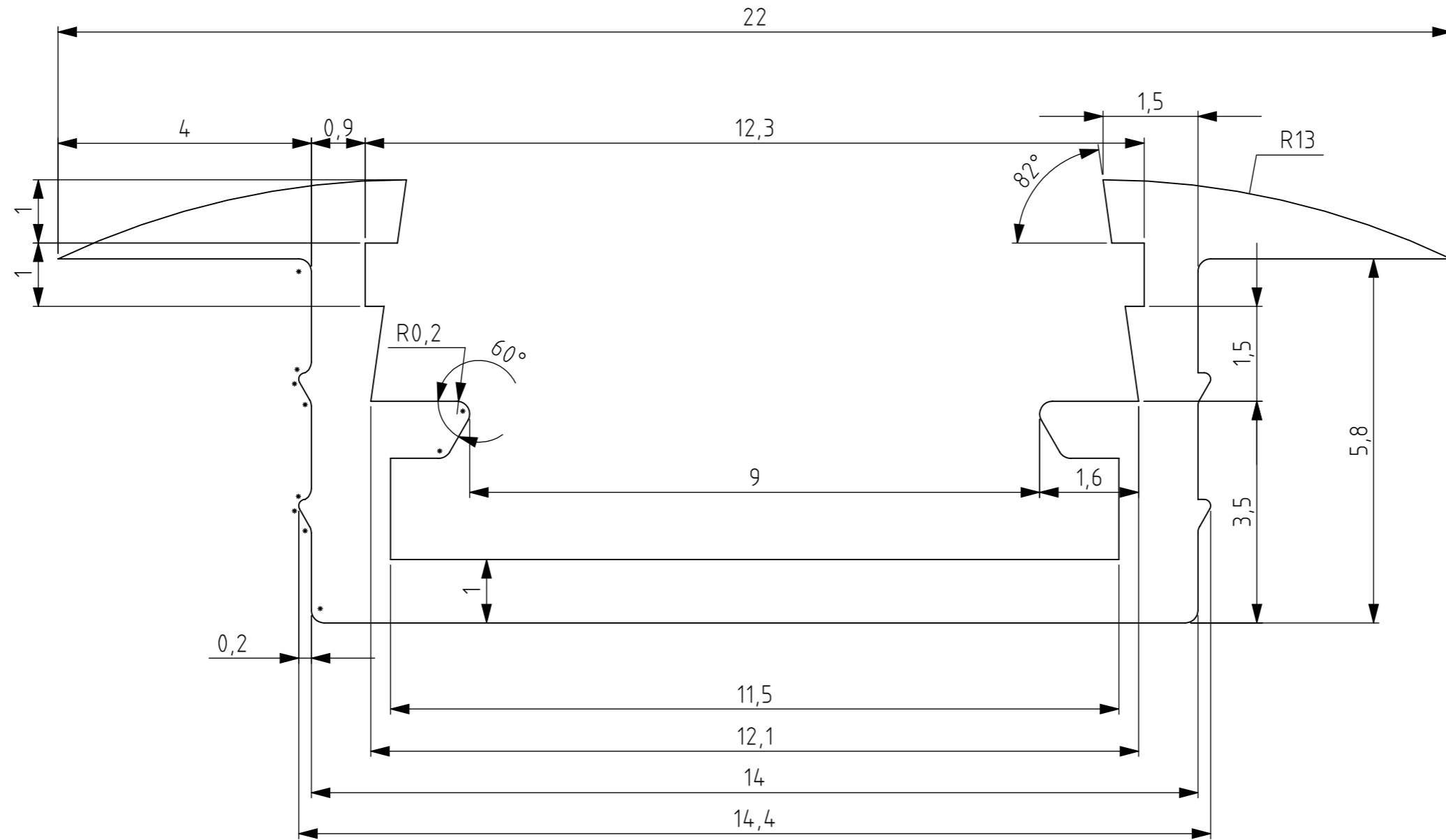


Not dimensioned surfaces according to CAD-model.
 All dimensions calculated with surface treatment unless otherwise stated.
 All sharp edges and burrs removed.

REV.	DESCRIPTION	DATE	CHANGED
------	-------------	------	---------

• R 0,2mm



Date	Designed by	Checked by	General tolerance	General Surface, Ra	View	Scale	Drawing number	Class
2019-06-23			SS-ISO 2768-m	0,8		1:1		
							Description	
							INLINE MINI XL	
State							Material	
							Sheet size	Revision
							A3	
							Page	
							1 (1)	

This document and its contents are the exclusive property of Svenska Lager AB and may not be copied, reproduced, transmitted or communicated to a third party, nor used for any purpose without written permission from Svenska Lager AB. Contravention will be prosecuted. This document may constitute a contractual obligation on the part of Svenska Lager AB only to extent expressly agreed upon.