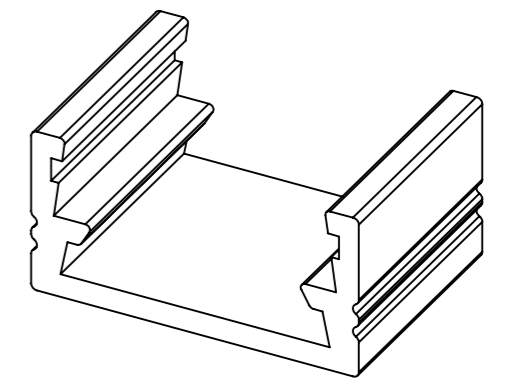
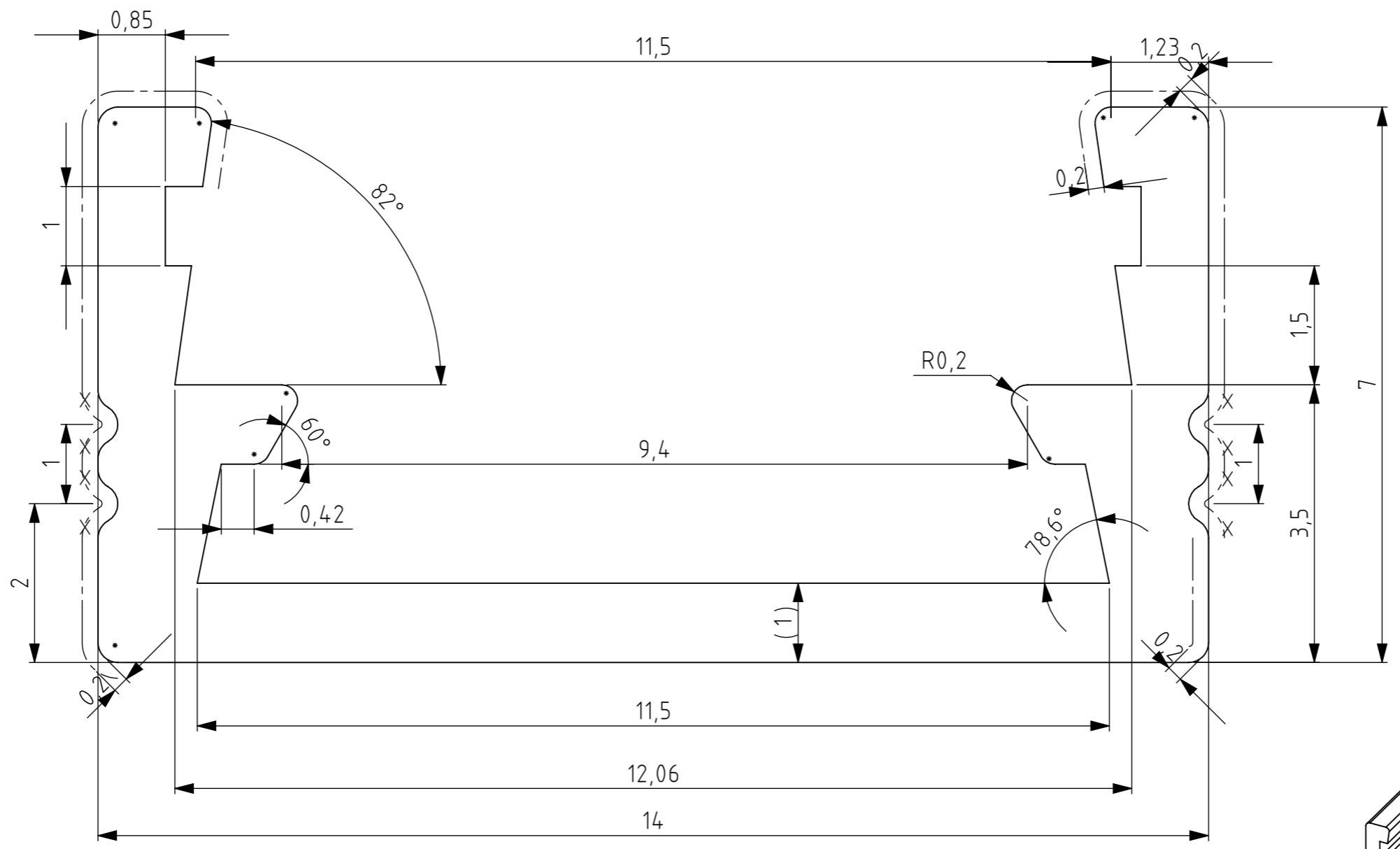


Not dimensioned surfaces according to CAD-model.
 All dimensions calculated with surface treatment unless otherwise stated.
 All sharp edges and burrs removed.

REV.	DESCRIPTION	DATE	CHANGED
------	-------------	------	---------

* =R0,2
 x =R0,25
 ---=Decorative surface



This document and its contents are the exclusive property of Svenska Lager AB and may not be copied, reproduced, transmitted or communicated to a third party, nor used for any purpose without written permission from Svenska Lager AB. Contravention will be prosecuted. This document may constitute a contractual obligation on the part of Svenska Lager AB only to extent expressly agreed upon.

Date	Designed by	Checked by	General tolerance SS-ISO 2768-m	General Surface, Ra 0,8	View 	Scale 5:1	Drawing number	Class		
XCEN EFFEKTIV LJUSPARTNER							Description LINE MINI		Material	
							State		Sheet size A3	Revision