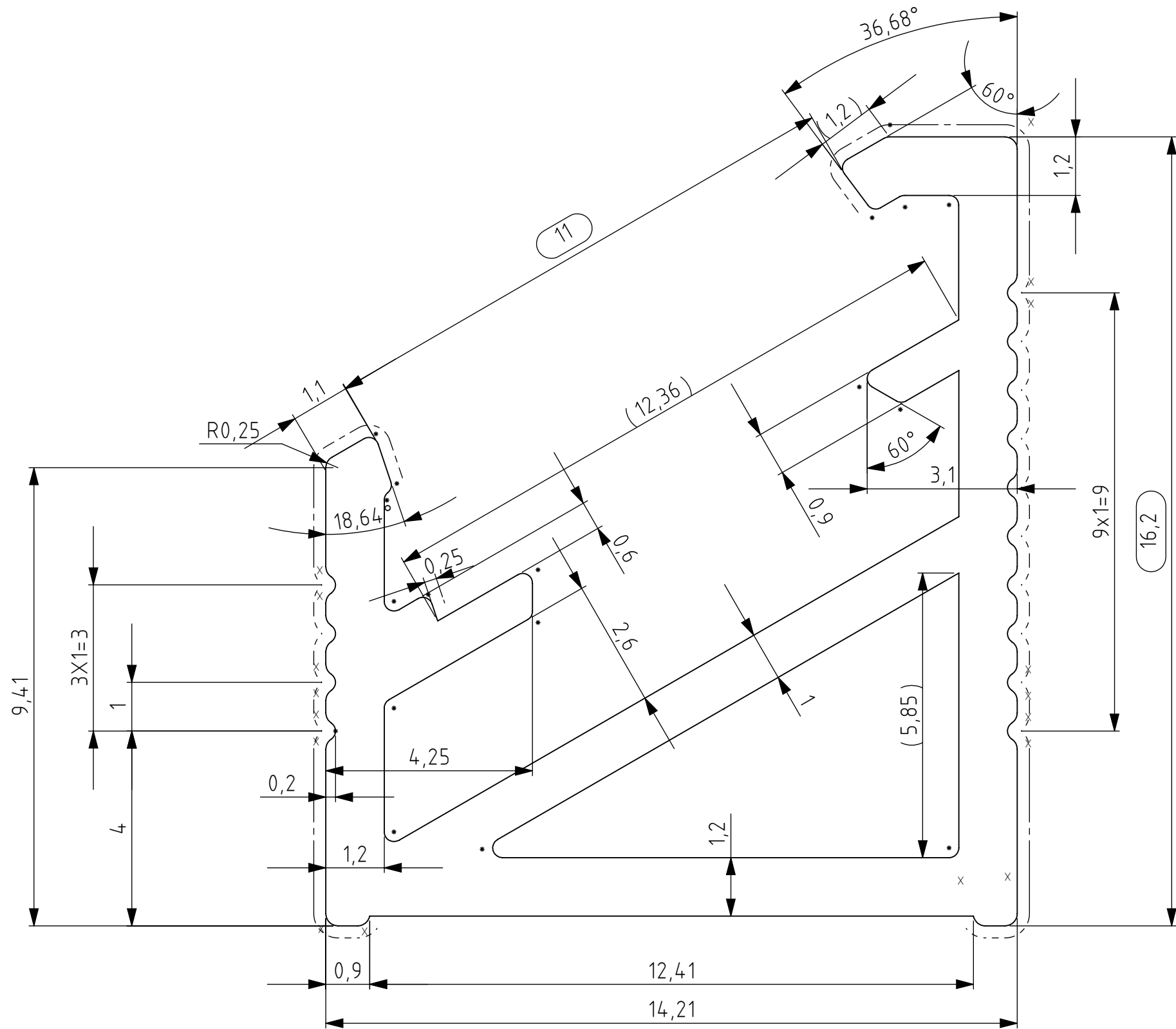
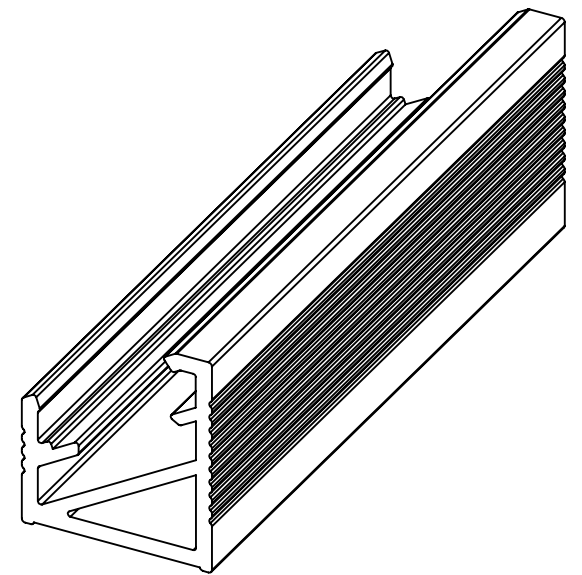


Not dimensioned surfaces according to CAD-model.
 All dimensions calculated with surface treatment unless otherwise stated.
 All sharp edges and burrs removed.

REV.	DESCRIPTION	DATE	CHANGED
------	-------------	------	---------



- =R0,2
- x =R0,25
- ⊖ ⊕ =Dimensions important
- =Decorative surface



Date	Designed by	Checked by	General tolerance SS-ISO 2768-m	General Surface, Ra 0,8	View 	Scale 2:1	Drawing number	Class
 EFFEKTIV LJUSPARTNER			Description TRE-LINE MINI			Material		
			State			Sheet size A3	Revision	Page 1 (1)

This document and its contents are the exclusive property of Svenska Lager AB and may not be copied, reproduced, transmitted or communicated to a third party, nor used for any purpose without written permission from Svenska Lager AB. Contravention will be prosecuted. This document may constitute a contractual obligation on the part of Svenska Lager AB only to extent expressly agreed upon.